

# Replacing Batteries on your Thin Door/Window Contact



This information is provided so that, for your convenience, you can swap out batteries in a wireless device in your Smart Home Security System.

- 1) BEFORE you start tampering with your device, please call our Monitoring Center at (866)406-5787 to put the system in "test" mode. You will need your password to verify it is you, and not an unauthorized person calling. They will put the alarm in a suspended mode so that your activities will not set off a false alarm.
- 2) Using the below diagrams and instructions, you should be able to open the cover of the device and swap old batteries for new.
- 3) Please call our local office at (865)474-9495 if you have any questions or problems.

## Inserting and Replacing the Batteries

To insert or replace the batteries:

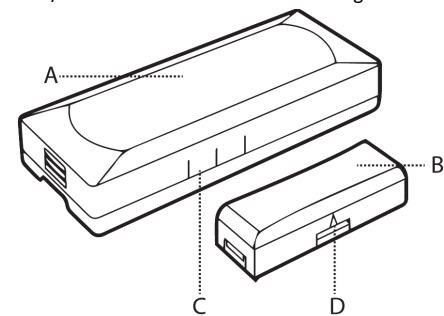
- 1 At the top of the sensor, push down the clip to unlock the sensor's backplate. Then, gently pull down on the backplate to remove it.
- 2 Place a small flathead screwdriver in the slot between the metal clip and battery (see Part F in *Figure 2 Thin Door/Window Contact—Backplate and Battery Compartment*).
- 3 Holding down the raised plastic edge in the battery compartment, gently twist the screwdriver to pop out each battery.

**IMPORTANT:** Always dispose and/or recycle used batteries in accordance with the hazardous waste recovery and recycling regulations for your location. Your city, state, or country may also require you to comply with additional handling, recycling, and disposal requirements.

- 4 Insert the replacement batteries in the compartment. The plus (+) sign of both batteries should be facing up and the minus (-) side facing down.

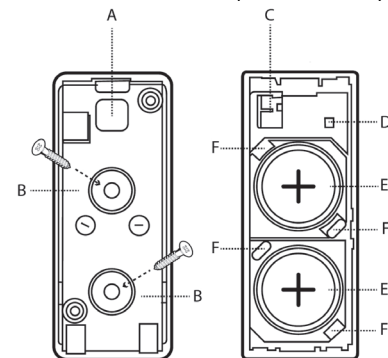
**WARNING:** Failure to follow these warnings and instructions can lead to heat generation, rupture, leakage, explosion, fire, or other injury, or damage. Do not insert the battery into the compartment in the wrong direction. Always replace the battery with the same or equivalent type (see *Specifications* on page 2). Never recharge or disassemble the battery. Never place the battery in fire or water. Always keep batteries away from small children. If batteries are swallowed, promptly see a doctor.

**Figure 1** Thin Door/Window Contact—Sensor and Magnet



- A Thin Door/Window Contact Sensor
- B Thin Door/Window Contact Magnet
- C Alignment Marks on Sensor
- D Alignment Arrow on Magnet

**Figure 2** Thin Door/Window Contact—Backplate and Battery Compartment



- A Access hole for external input wire (on backplate)
- B Top and bottom mounting holes (on backplate)
- C External input wire jack (on sensor)
- D Tamper switch (on sensor)
- E 3-Volt (3V) lithium coin battery compartments (on sensor)
- F Metal clips for removing batteries (on sensor)

**NOTE:** Each of these devices requires two 3V lithium batteries. Look, or ask, for CR2032 batteries at your favorite store.



"In GOD we trust, all others we monitor."

11426 Kingston Pike • Farragut, TN 37934

(865) 474-9495